

Ruggedized Shaft encoder, Incremental

- Robust encoder with solid shaft
- Short-circuited protected outputs
- IP67 at housing, IP66 at shaft inlet



Mechanical data

Operating temperature	-40 °C...+70 °C
Ingress protection class [IEC 60529]	IP67 (IP66 at shaft inlet)
Vibration [IEC 60068-2-64]	≤ 300 m/s ²
Shock [IEC 60068-2-27]	≤ 2000 m/s ²
Shaft load (axial/radial)	50 N / 60 N
Rotational speed max	6000 rpm
Shaft material	Stainless steel
Cover material	Aluminium (Anodized)
Weight	300 g

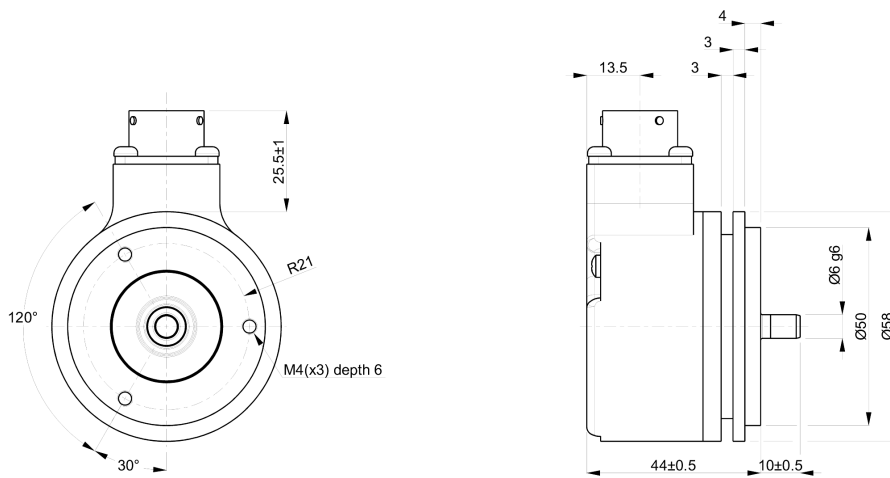
Encoder configuration

Type	RSI
Model	503 Standard
Shaft type	Ø6 mm round
Flange type	Synchro flange (63-type)
Resolution	200 ppr
Power supply	9-30 Vdc
Output signal	HTL
Connection type	PT connector 8-pin
Connecting direction	Radial
Number of channels	6 (S00, S00\, S90, S90\, Sref, Sref\)

Electrical data

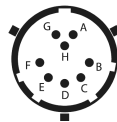
Polarity protected	Yes
Short circuit protected outputs	Yes
Current consumption (No load)	50 mA at 24 Vdc (Max. 75 mA)
Incremental output load (max)	± 40 mA
Output frequency max	300 kHz
Cable length max	100 m at 100 kHz
Channel separation	90 °el ± 25 °el
Dividing error	± 50 °el
MTTFd value [Years]	1111

Dimensions

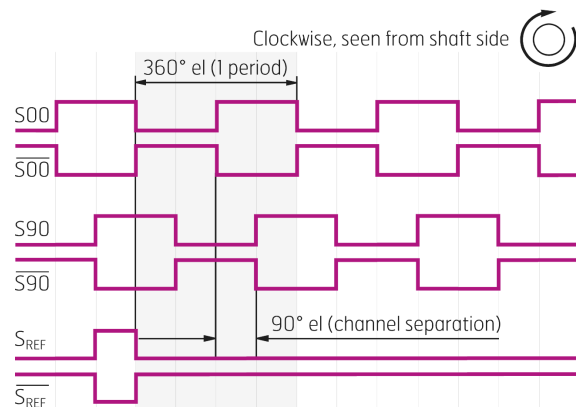


Pin Configuration

Function	Pin
S90	A
S90 Inverted	B
S00 Inverted	C
S00	D
+E Volt	E
0 Volt	F
Sref	G
Sref Inverted	H



Output signal



Order information

Part number	517382-04
-------------	-----------