**X-heavy duty Shaft encoder, Dual**

- Two galvanically separated encoders (A,B) in one housing
- Shock and vibration protected
- Short-circuit protected outputs

**Mechanical data**

Operating temperature	-20 °C...+85 °C
Ingress protection class [IEC 60529]	IP67 (IP66 at shaft inlet)
Vibration [IEC 60068-2-64]	10 g, 50-2000 Hz
Shock [IEC 60068-2-27]	100 g, 11 ms
Shaft load (axial/radial)	500 / 1200 N
Rotational speed max	4000 rpm
Shaft material	Stainless steel
Cover material	Aluminium (anodized)

Encoder configuration

Code key	855009290
Type	XSD
Model	855
Shaft type	Ø11 mm with key nut
Flange type	Euro-flange (B10-type)
Connecting direction	Radial

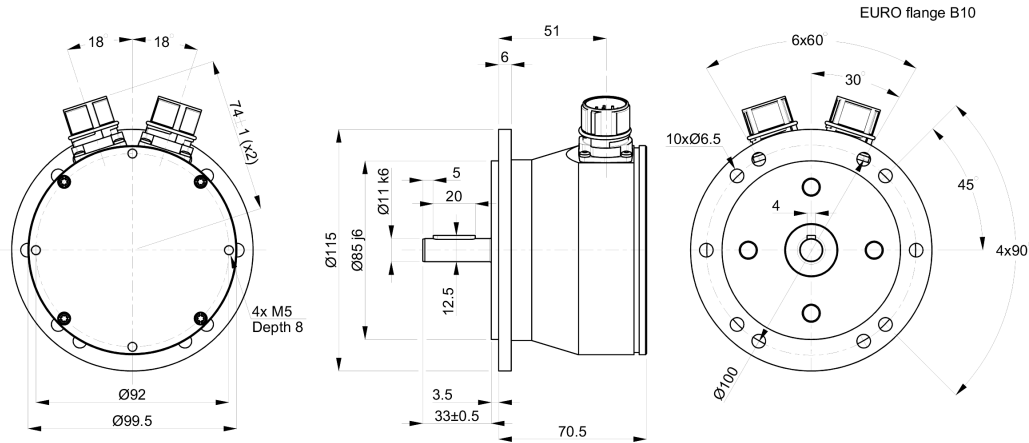
A-Module Specification

Connection type	M23 connector 12-pin
Pin layout	CCW
Polarity protected	Yes
Short circuit protected outputs	Yes
Current consumption (No load)	65 mA at 24 Vdc (Max.80 mA)
Cable length max	350 m at 100 kHz
Number of channels	3 (S00, S90, Sref)
Channel separation	90 °el ± 25 °el
Output signal	High Current HTL (HCHTL)
Dividing error	± 50 °el
Incremental output load (max)	±40 mA
Output frequency max	200 kHz
Resolution	5000 ppr
Power supply	9...30 Vdc

B-Module specification

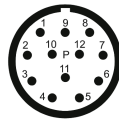
Pin layout	CCW
Short circuit protected outputs	Yes
Connection type	M23 connector 12-pin
Polarity protected	Yes
Current consumption (No load)	65 mA (Max.80 mA)
Cable length max	100 m at 100 kHz
Number of channels	6 (S00, S00\, S90, S90\, Sref, Sref\)
Channel separation	90 °el ± 25 °el
Output signal	High Current HTL (HCHTL)
Dividing error	± 50° el
Incremental output load (max)	±40 mA
Output frequency max	200 kHz
Resolution	2048 ppr
Power supply	9...30 Vdc

Dimensions



Encoder A - Pin Configuration

Function	Pin
+ E Volt	12
0 Volt	10
0 (Sref)	3
0\ (Sref\)	4
1 (S90)	8
1\ (S90\)	1
2 (S00)	5
2\ (S00\)	6



Encoder B - Pin Configuration

Function	Pin
+E Volt	12
0 Volt	10
0 (Sref)	3
0\ (Sref\)	4
1 (S90)	8
1\ (S90\)	1
2 (S00)	5
2\ (S00\)	6

Encoder model

XSD 855



Part number

1379101-01

Order information

Part number	1379101-01
-------------	------------